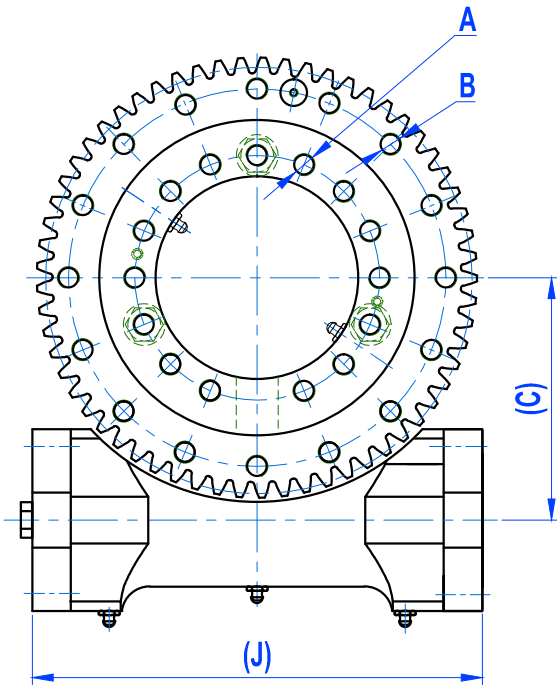
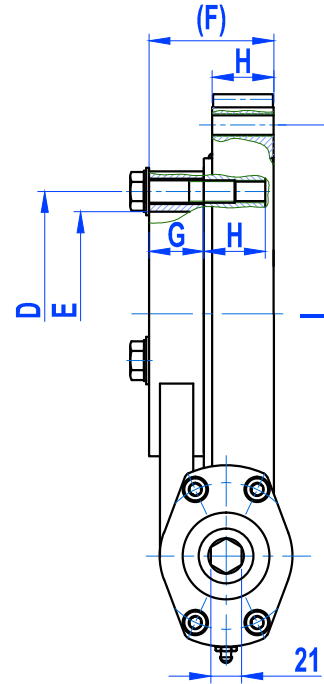


S Series



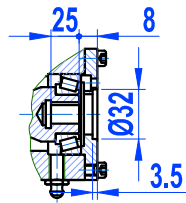
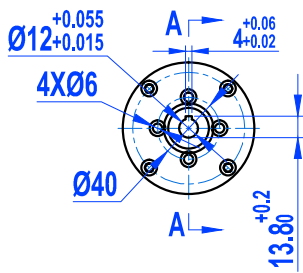
7" Slewing drive



9"~25" Slewing drive

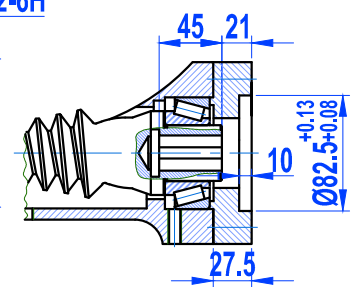
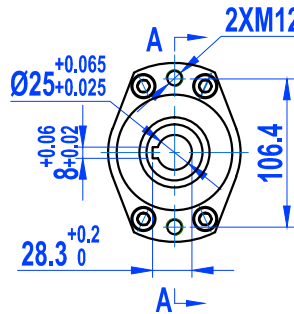
VIEW B

Section A-A



VIEW B

Section A-A



NOTE: The interface dimension depends on actual customer requirements and specifications.

Mounting Dimension Sheet

UNIT: mm

TYPE	A	B	C	D	E	F	G	H	I	J
S7	10×M12 Based on 10 EQS	8×M12 EQS	133.2	Ø120.6	Ø98	63.4	20.0	18	Ø203.2	189.0
S9	15×M16 Based on 16 EQS	16×M16 EQS	174.1	Ø175.0	Ø146	89.1	39.1	44	Ø270.0	321.7
S12	19×M16 Based on 20 EQS	18×M16 EQS	220.0	Ø259.0	Ø229	89.1	39.1	44	Ø358.0	331.5
S14	23×M16 Based on 24 EQS	18×M16 EQS	237.6	Ø295.0	Ø265	89.1	39.1	43	Ø390.0	337.5
S17	20×M16 Based on 20 EQS	20×M16 EQS	275.5	Ø365.1	Ø324	103.0	47.0	48	Ø479.4	385.0
S21	35×M20 Based on 36 EQS	36×M20 EQS	345.1	Ø466.7	Ø435	136.5	41.5	50	Ø584.2	469.0
S25	35×M20 Based on 36 EQS	36×M20 EQS	401.8	Ø565.0	Ø512	130.0	47.0	50	Ø675.0	469.0

Performance Parameters

DATA TYPE	Slewing Drive Ratio	Efficiency	Nom. Output Torque	MAX. Output Torque	Holding Torque	Tilting Moment Torque	Static Radial Rating	Static Axial Rating	Dynamic Radial Rating	Dynamic Axial Rating	Self-locking	Torsion Stiffness	Bending Stiffness
			N.m	N.m	N.m	N.m	kN	kN	kN	kN		Nm/m Rad	Nm/m Rad
S7	73	30%	2,010	4,020	7,034	13,556	53.3	133.2	27.9	31.9	YES	780	1,900
S9	61	43%	4,480	8,960	39,083	45,000	135.0	337.4	70.9	81.0		1,125	2,378
S12	78	43%	5,795	11,590	49,975	54,240	190.3	475.1	99.8	114.0		2,000	4,191
S14	85	43%	6,497	12,994	54,455	67,800	222.0	555.0	116.6	133.2		3,400	9,224
S17	102	43%	9,360	18,720	65,633	135,600	390.7	976.8	205.1	234.4		6,400	12,000
S21	125	43%	16,010	32,020	81,000	203,400	639.4	1,598.5	335.7	383.6		7,500	82,000
S25	150	43%	24,011	42,995	89,100	271,164	944.0	2,360.0	472.0	590.0		8,400	82,000